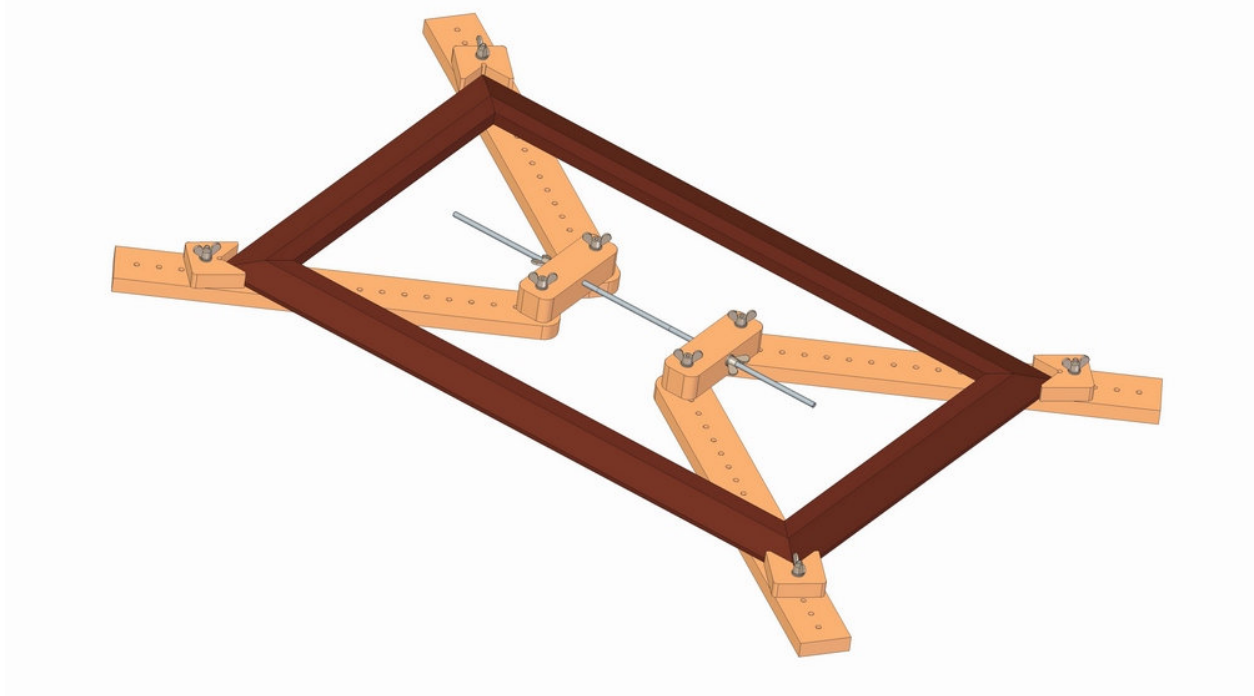


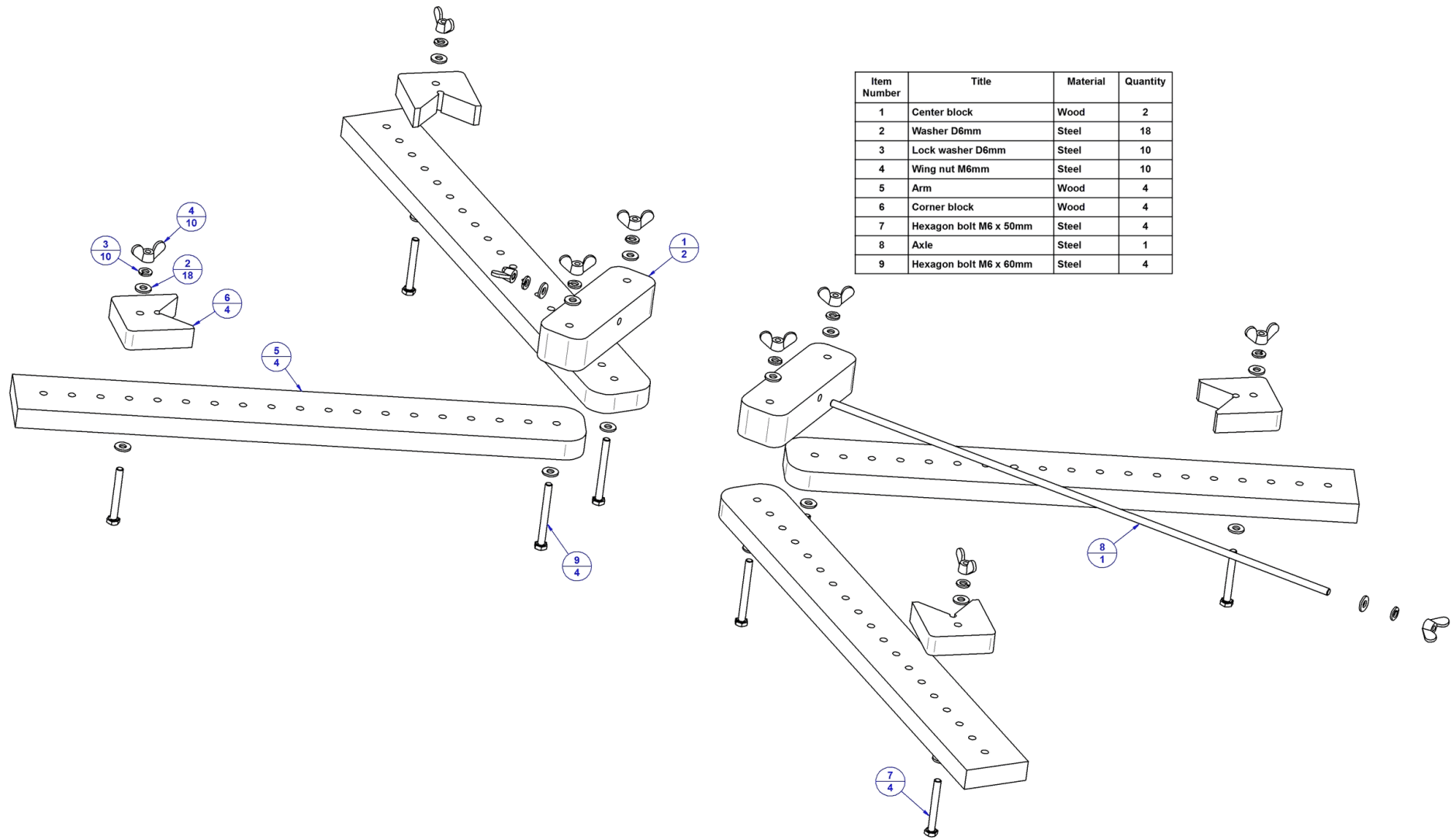
## Adjustable 4 corner framing clamp

Clamp is a helping device designed to hold and secures working pieces tightly together and prevents movements and separations during the gluing, machining, soldering, welding, etc.

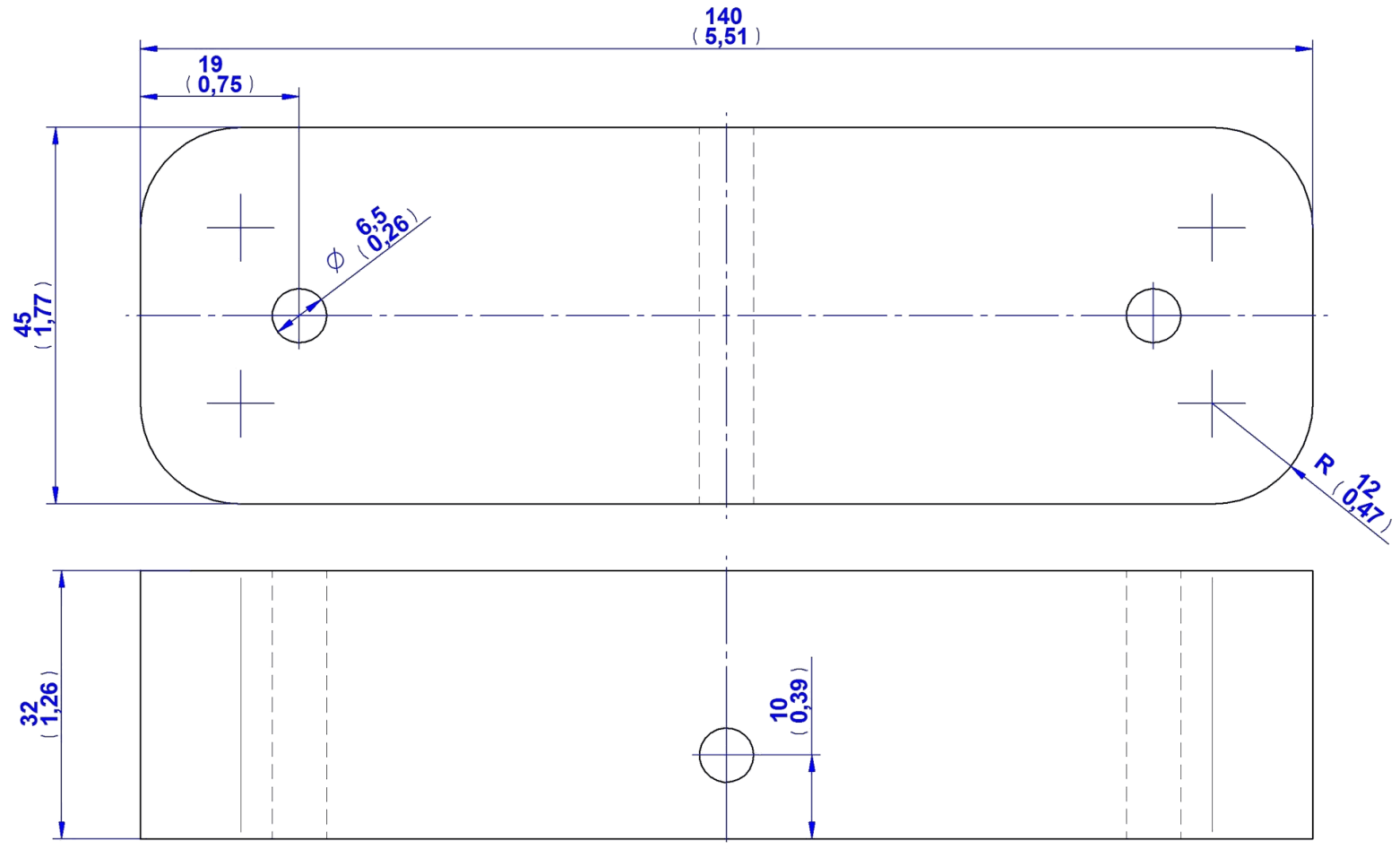
This is a fast adjustable clamp ideal while making frames with mitered corners and other shapes with a 90 degree corner angle. Clamp automatically squares itself when you tighten the center wing nuts by putting equal pressure on all four corners.



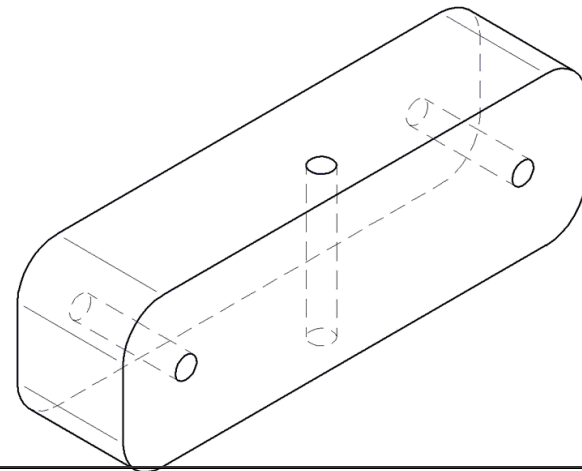
### Adjustable 4 corner framing clamp parts list

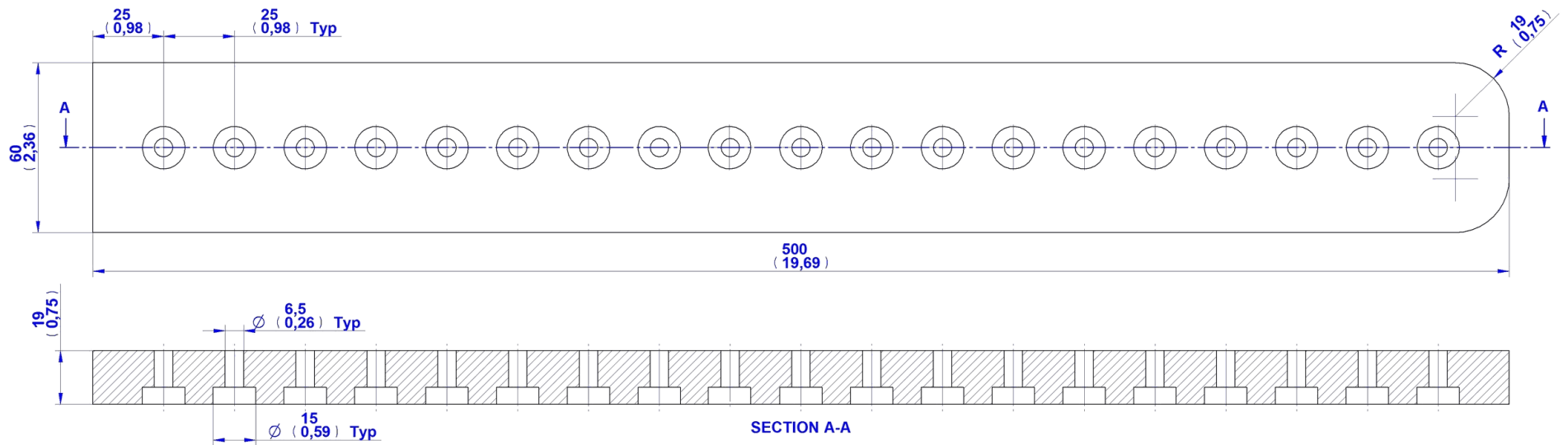


Item Number	Title	Material	Quantity
1	Center block	Wood	2
2	Washer D6mm	Steel	18
3	Lock washer D6mm	Steel	10
4	Wing nut M6mm	Steel	10
5	Arm	Wood	4
6	Corner block	Wood	4
7	Hexagon bolt M6 x 50mm	Steel	4
8	Axle	Steel	1
9	Hexagon bolt M6 x 60mm	Steel	4

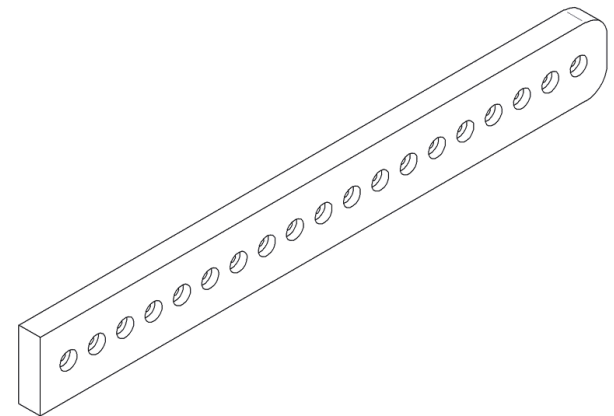


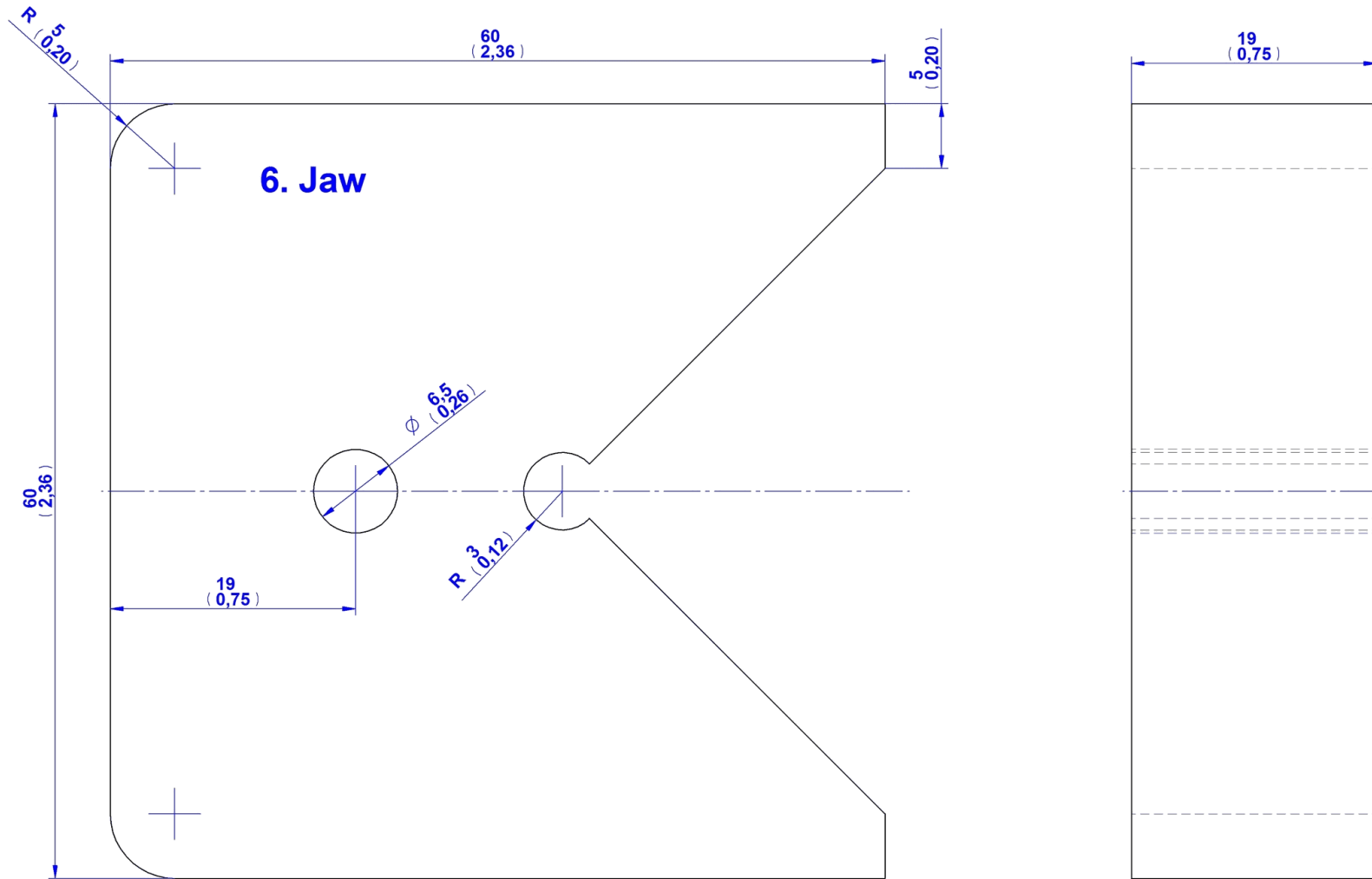
### 1. Center block

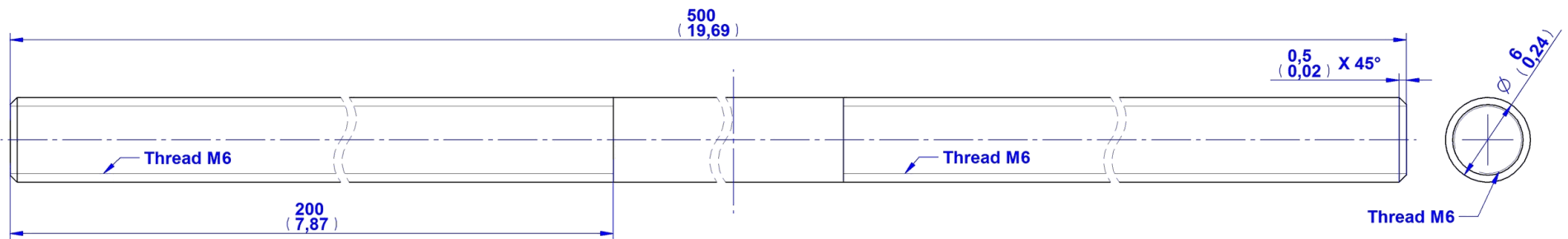




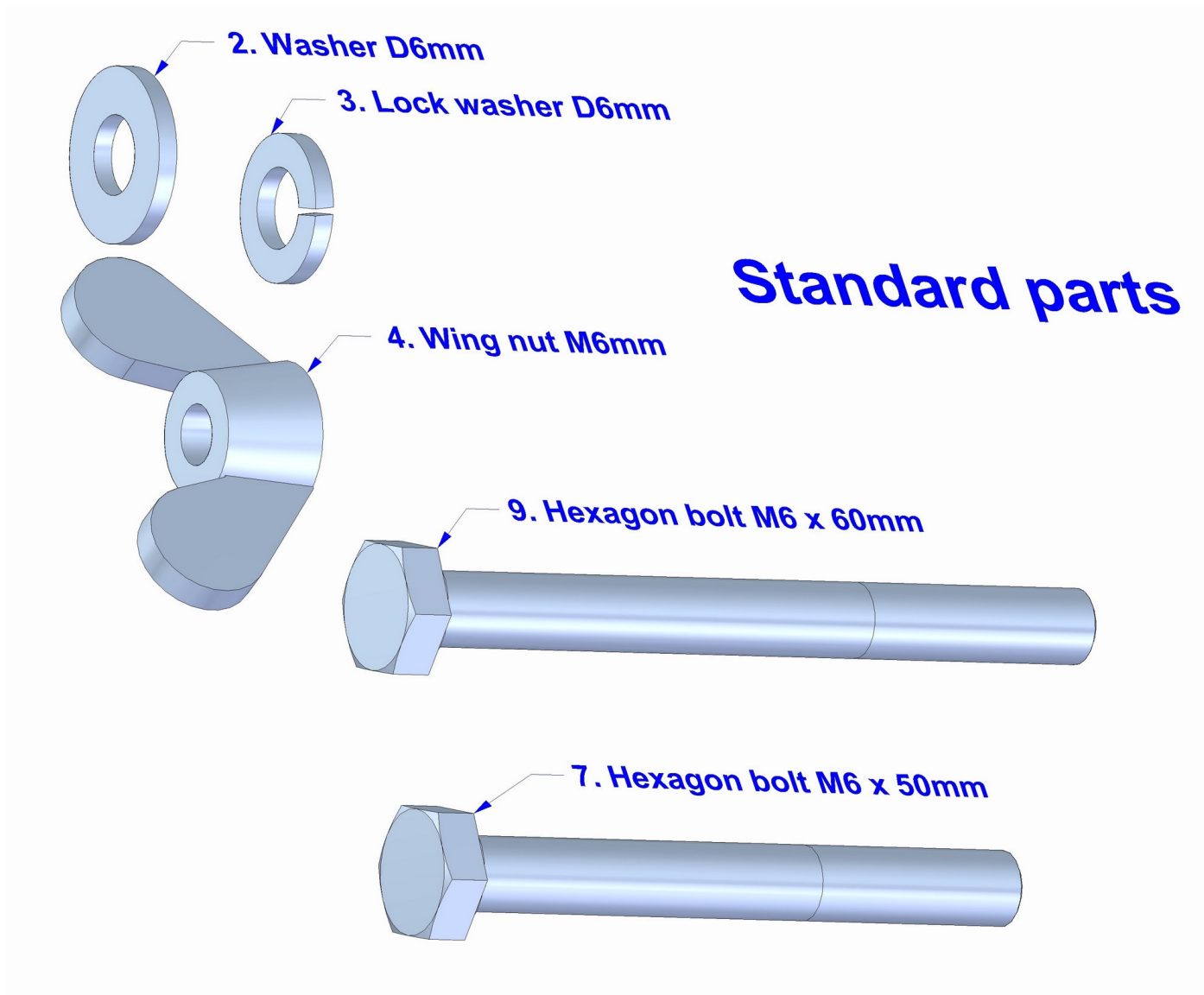
### 5. Arm







## 8. Axle



**Measurements:** millimeters and inches (in brackets).